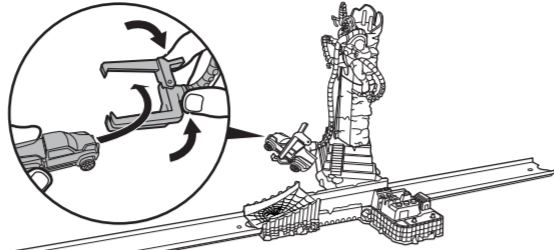
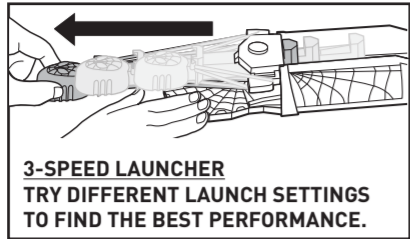


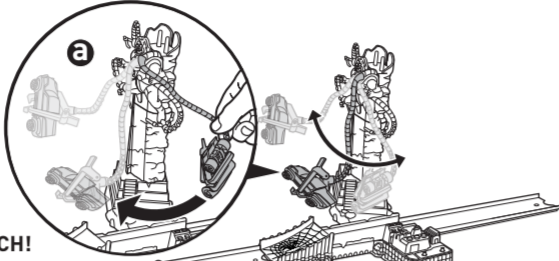
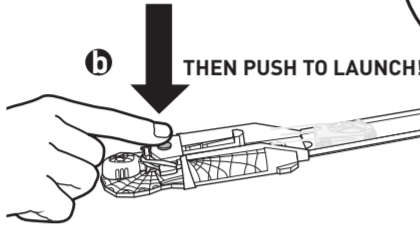
TO PLAY

1. LOCK LAUNCHER BACK AND LOAD SPIDER-MAN™ CAR. OPEN CLAW AND LOAD ADDITIONAL CAR (NOT INCLUDED).

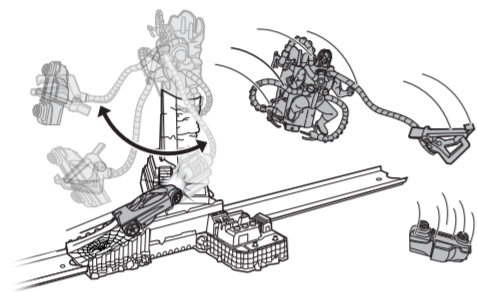


INCLUDES 1 VEHICLE. ADDITIONAL VEHICLES SOLD SEPARATELY. NOT FOR USE WITH SOME HOT WHEELS® VEHICLES.

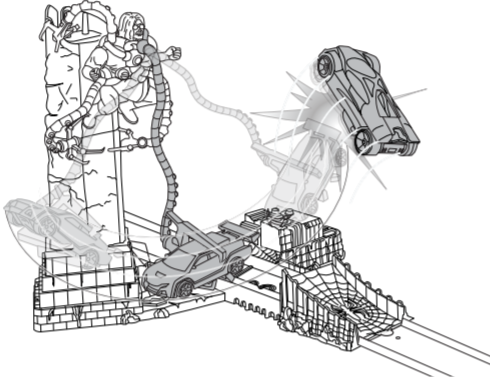
2. FIRST SWING TENTACLE FROM SIDE TO SIDE. THEN PUSH TO LAUNCH!



3. HIT THE TENTACLE TO DEFEAT DOC OCK AND RESCUE THE CAR!



4. DON'T LET DOC OCK KNOCK YOU OUT!



©2014 Mattel. All Rights Reserved. © and ™ designate U.S. trademarks of Mattel, except as noted. Mattel, Inc., 636 Girard Avenue, East Aurora, NY 14052, U.S.A. Consumer Relations 1-800-524-8697. Mattel U.K. Ltd., Vanwall Business Park, Maidenhead SL6 4UB. Helpline 01628 500303. Mattel Australia Pty. Ltd., Richmond, Victoria, 3121. Consumer Advisory Service - 1300 135 312. Mattel East Asia Ltd., Room 1106, South Tower, World Finance Centre, Harbour City, Tsingshatsui, HK, China. Diimport & Didasarkan Oleh: Mattel SEA Ptd Ltd.(993532-P) Lot 13.5, 13th Floor, Menara Lien Hoe, Persiaran Tropicana Golf Country Resort, 47410 PJ. Tel:03-78803817, Fax:03-78803867.

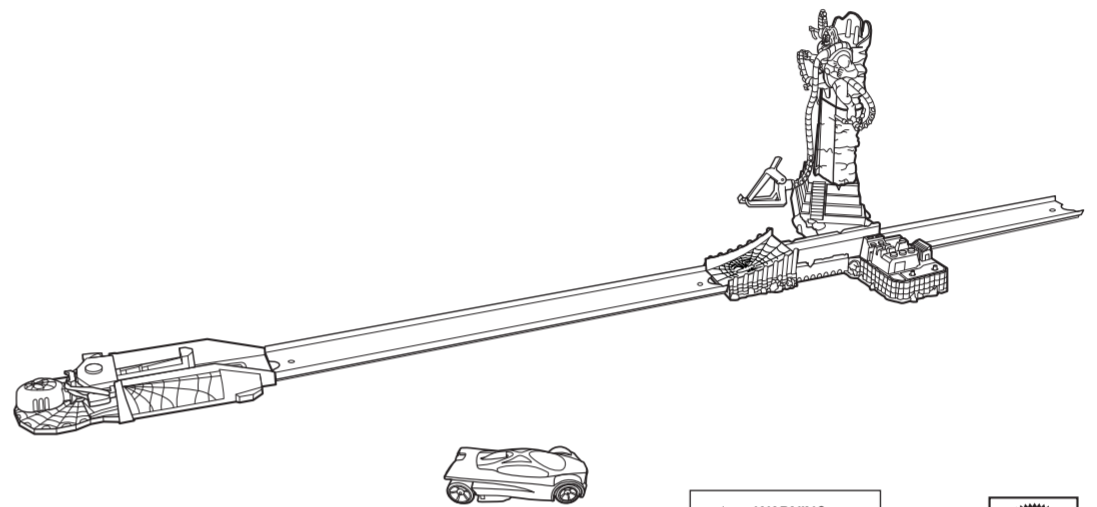
INSTRUCTIONS



© MARVEL



DOC OCK KNOCK DOWN



4+

service.mattel.com
HOTWHEELS.COM

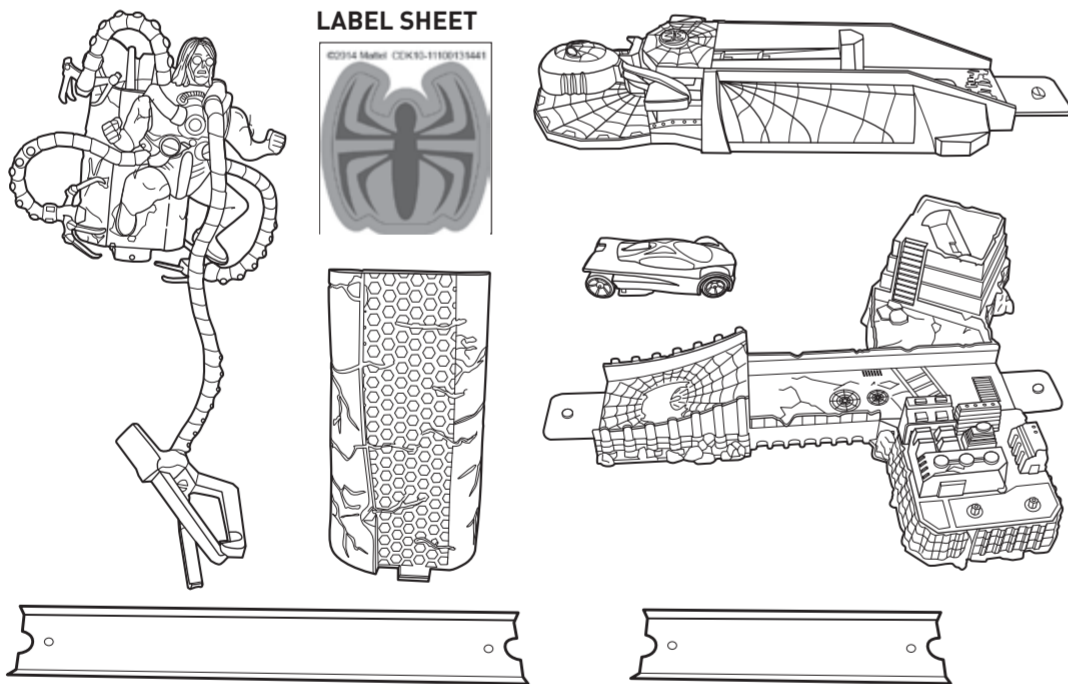
WARNING:
CHOKING HAZARD - Small parts.
Not for children under 3 years.



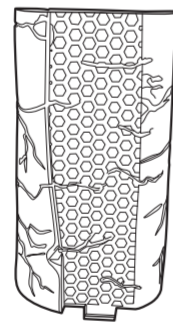
ASST.CDF92
CDK10-1100224911

PLEASE KEEP THESE INSTRUCTIONS FOR FUTURE REFERENCE AS THEY CONTAIN IMPORTANT INFORMATION.

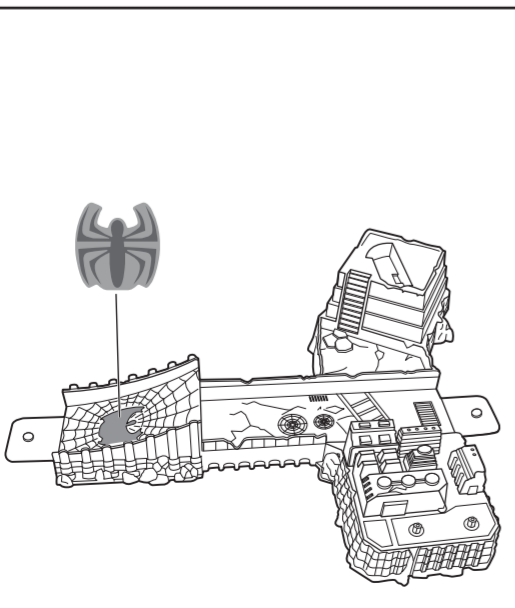
CONTENTS



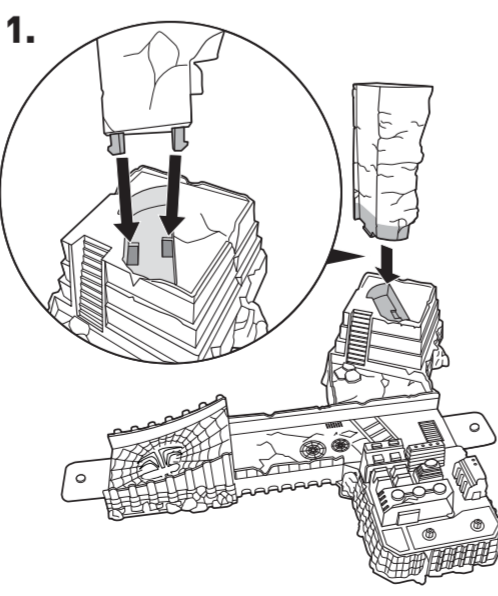
LABEL SHEET



APPLY LABELS

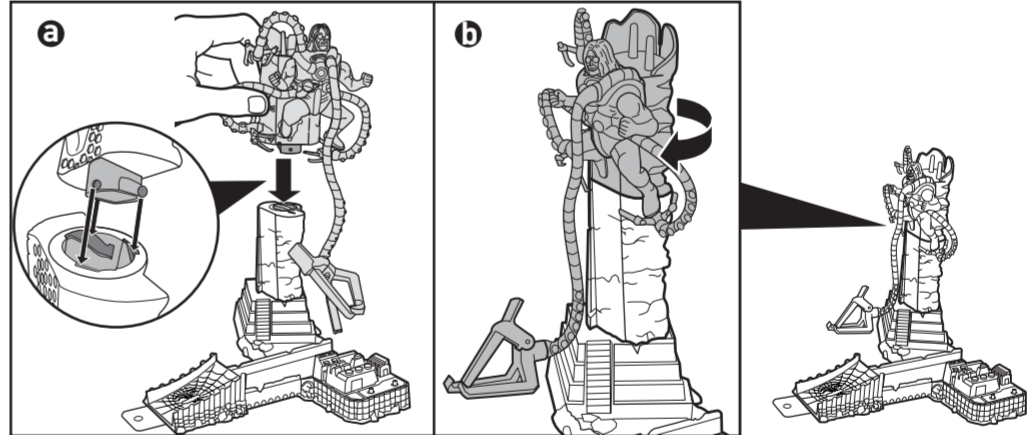


ASSEMBLY

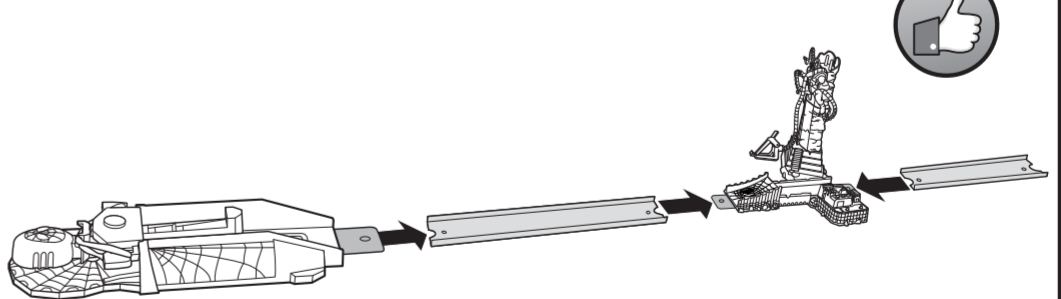


ASSEMBLY (CONTD.)

2. INSERT FIGURE SIDEWAYS, THEN ROTATE TO LOCK IN PLACE.



3.



4. CONNECT TO OTHER HOT WHEELS® SETS (SOLD SEPARATELY).

